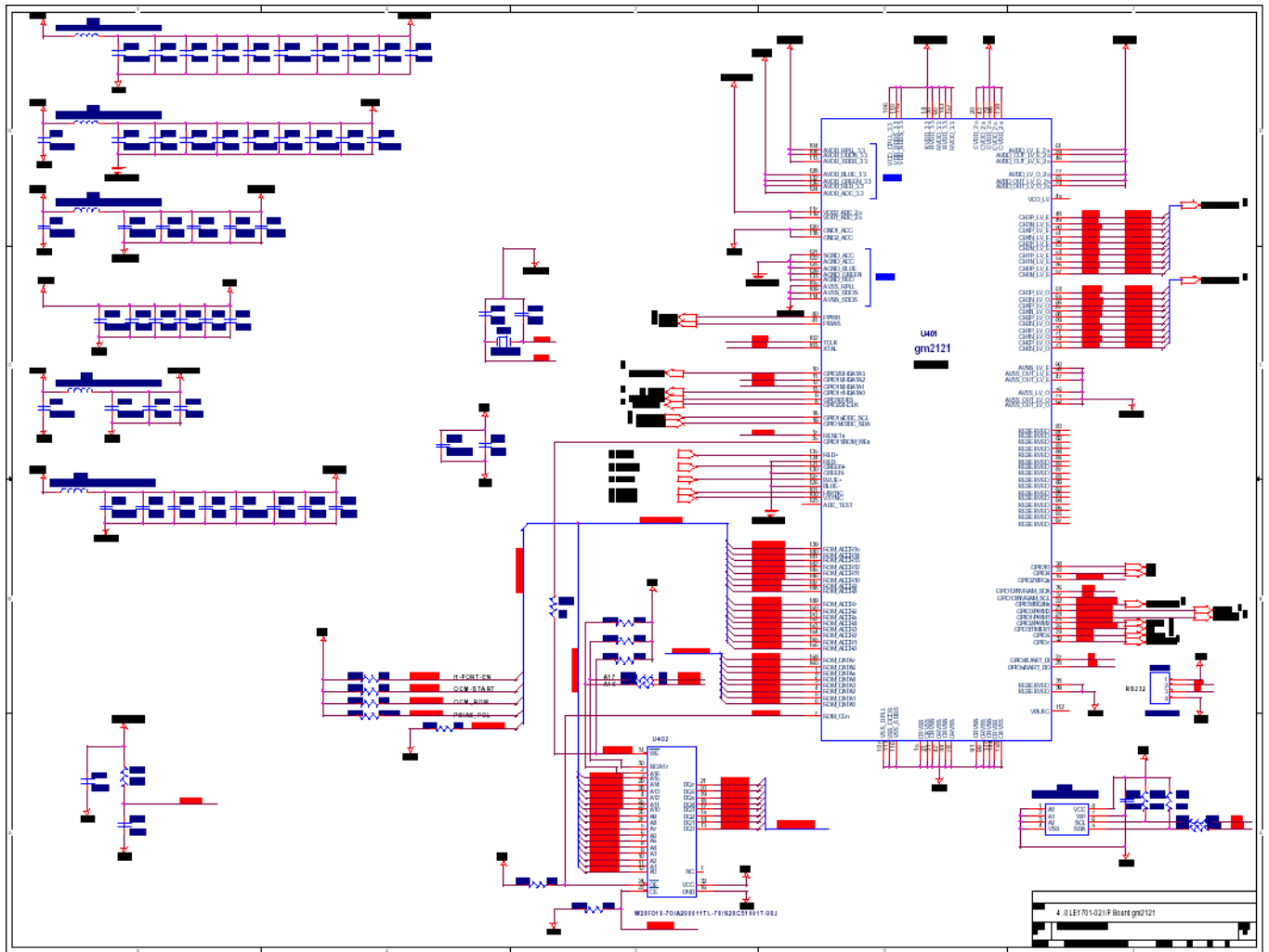


HT is HOLTEK

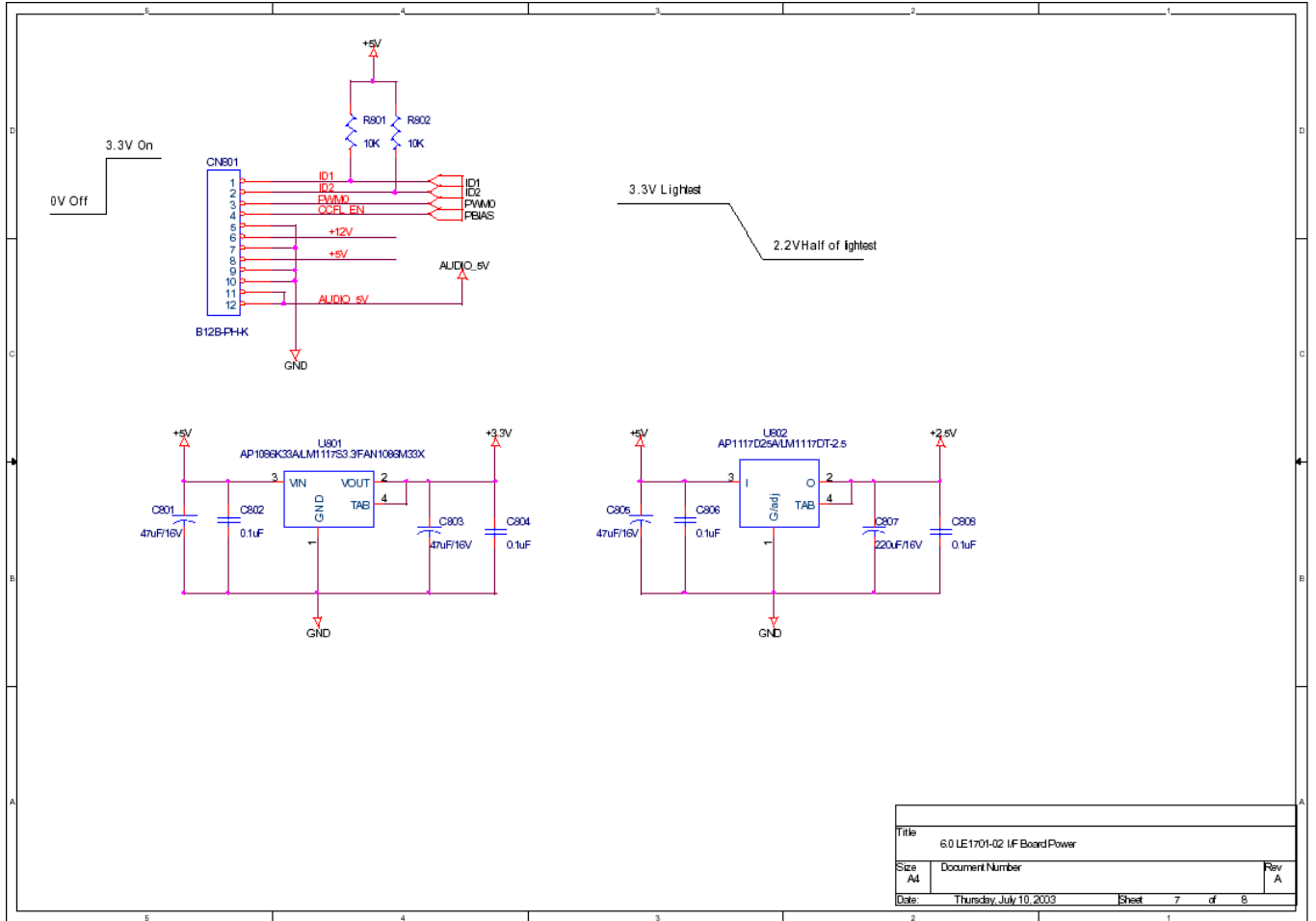
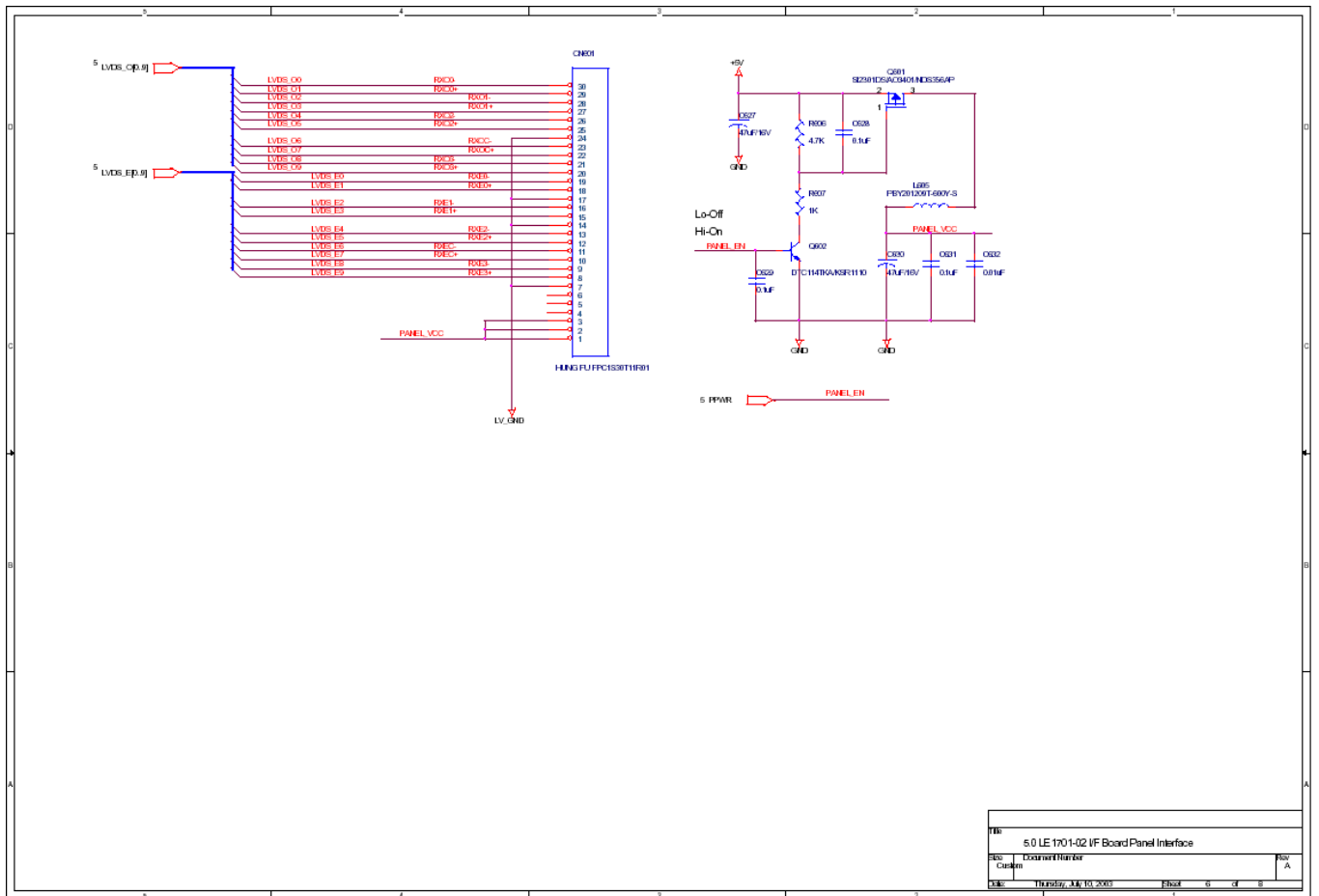
U301 EEPROM Have three source.S524A40X21(SAMSUNG)BR24C02F(ROHM)AT24C02(ATMEL).

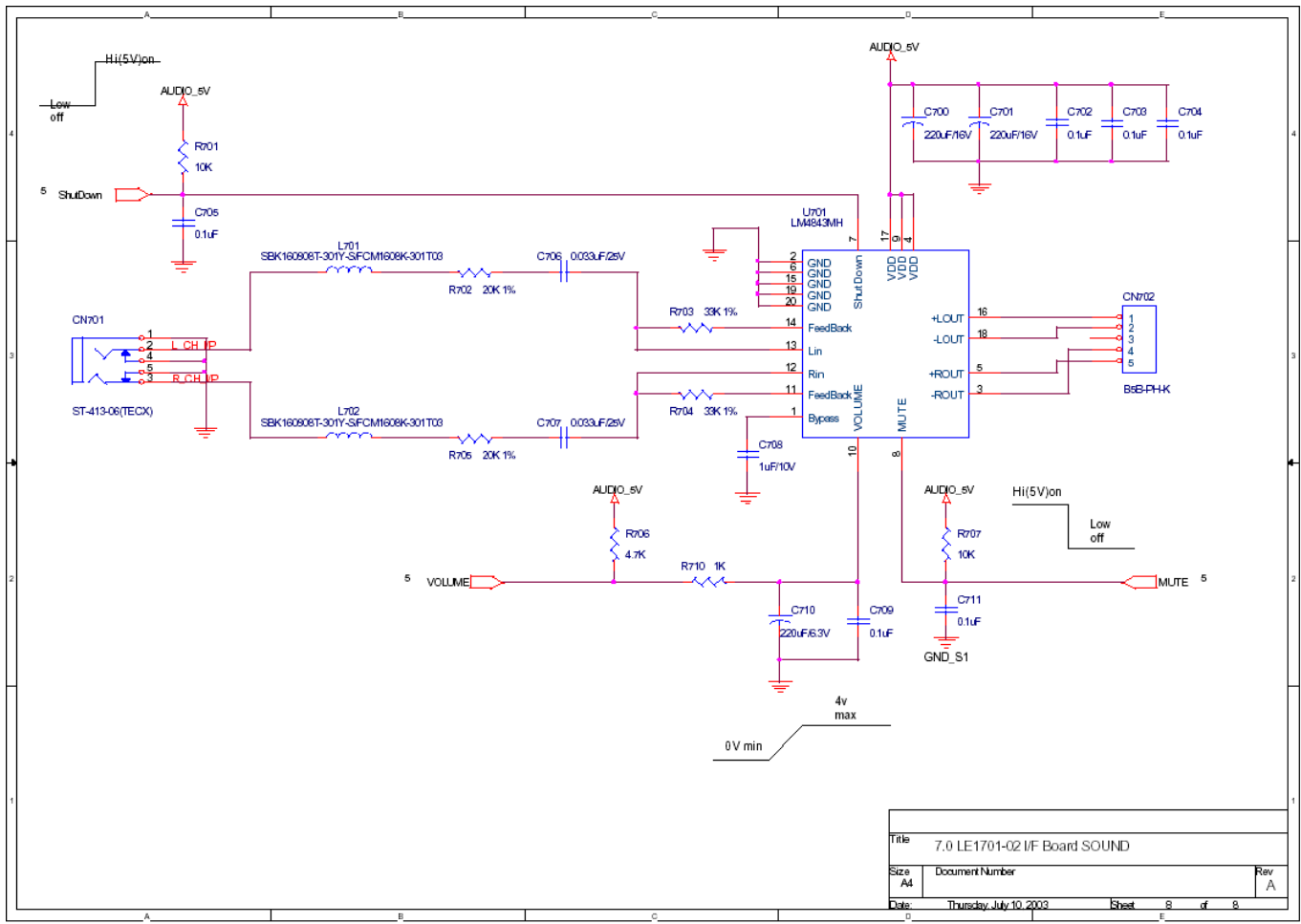
Title		
3.0 LE 1701-02 I/F Board Analog Input		
Size A4	Document Number	Rev A
Date: Thursday, July 10, 2003	Sheet	4 of 8



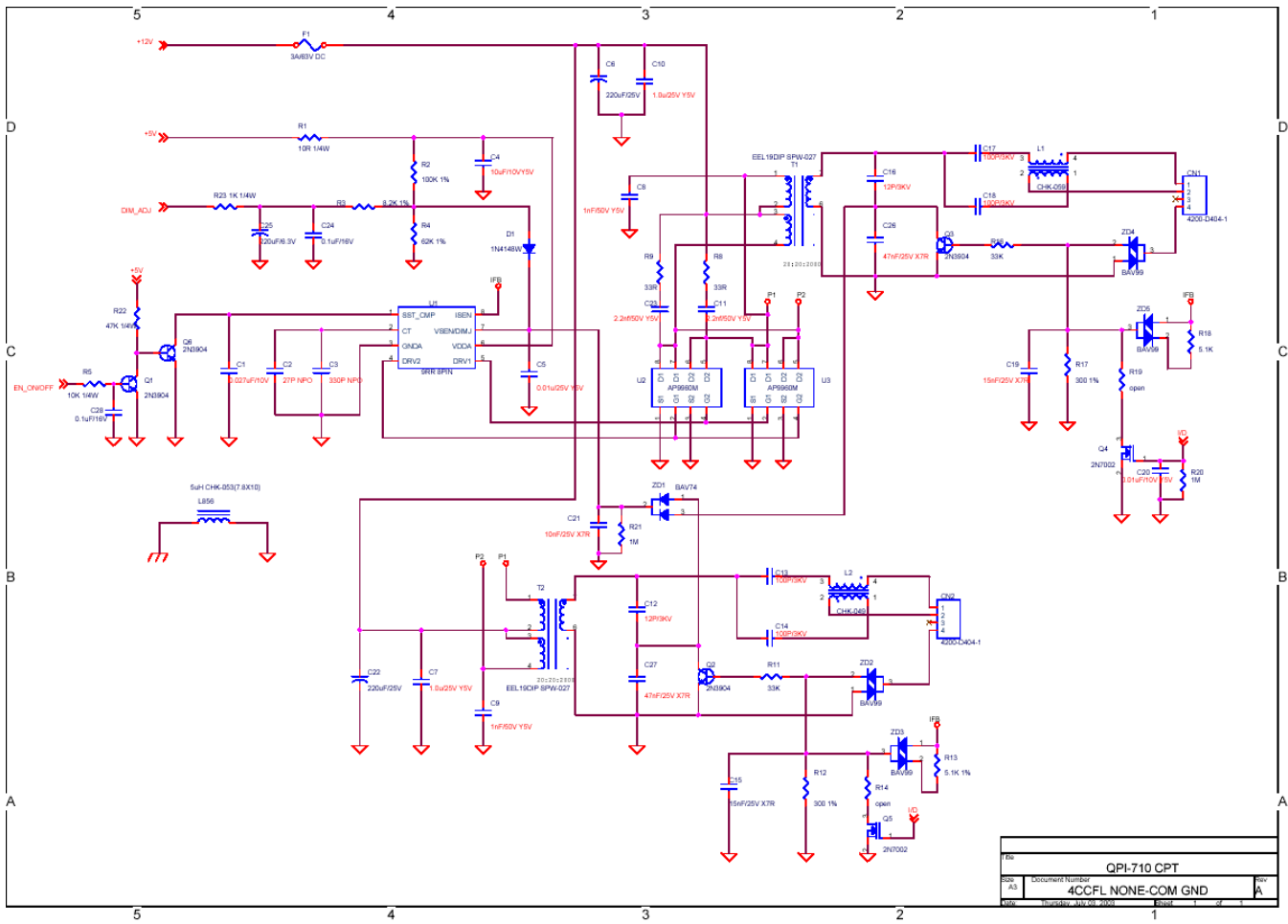
W33P018-70IA020811TL-701820251917-001

4.0 LE1701-021/F Board gm2121

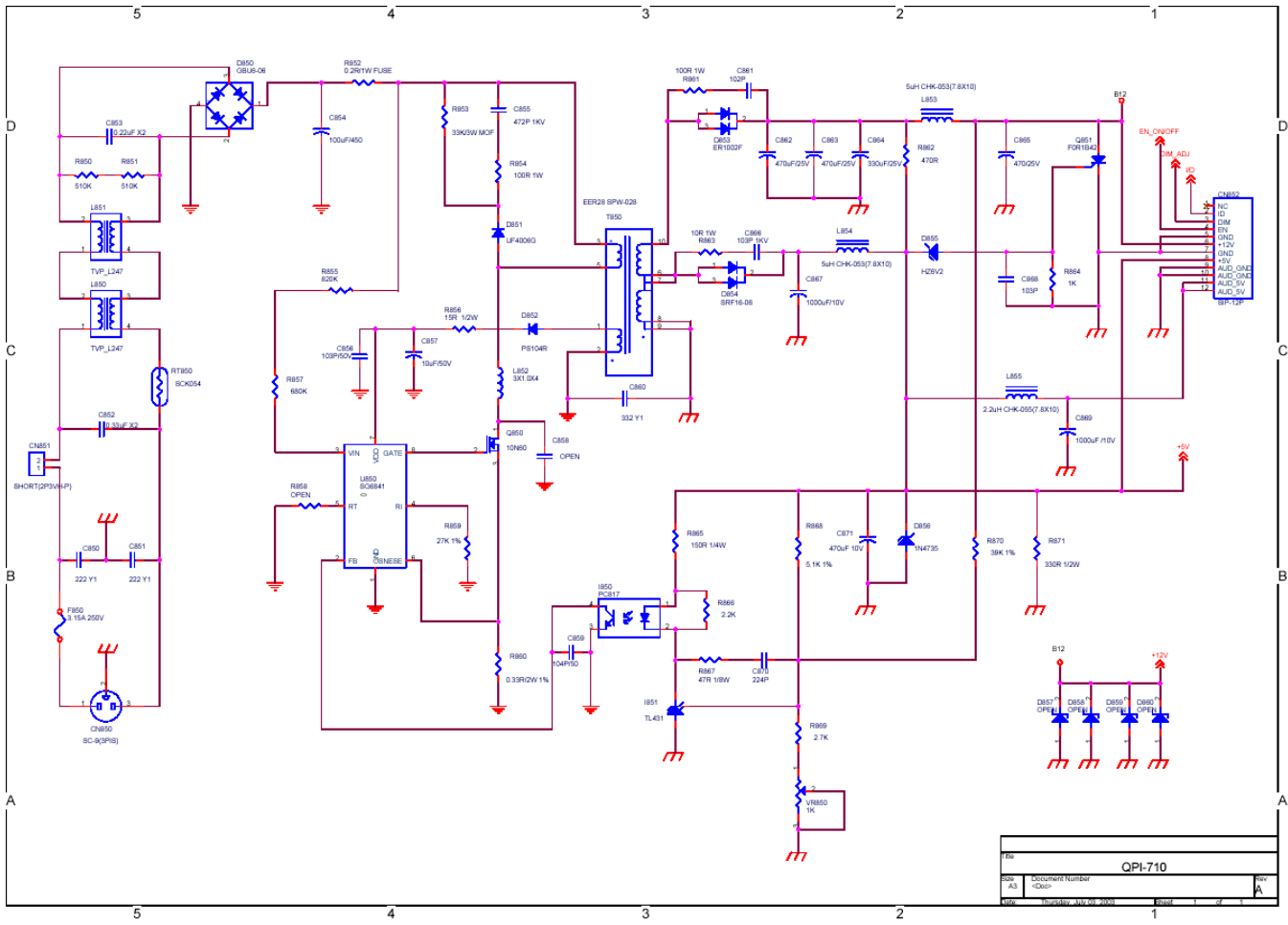




Title		
7.0 LE1701-02 I/F Board SOUND		
Size	Document Number	Rev
A4		A
Date	Thursday, July 10, 2003	Sheet 8 of 8



Rev		QPI-710 CPT	
Rev	Document Number	4CCFL NONE-COM GND	
A3	1/1/2009	1/1/2009	
Rev	Author	Rev	
A		A	



File	QPI-710	
Doc	Doc/Document Number	Doc
Rev	A3	Rev
DATE	10/24/2007	Sheet 1 of 1